

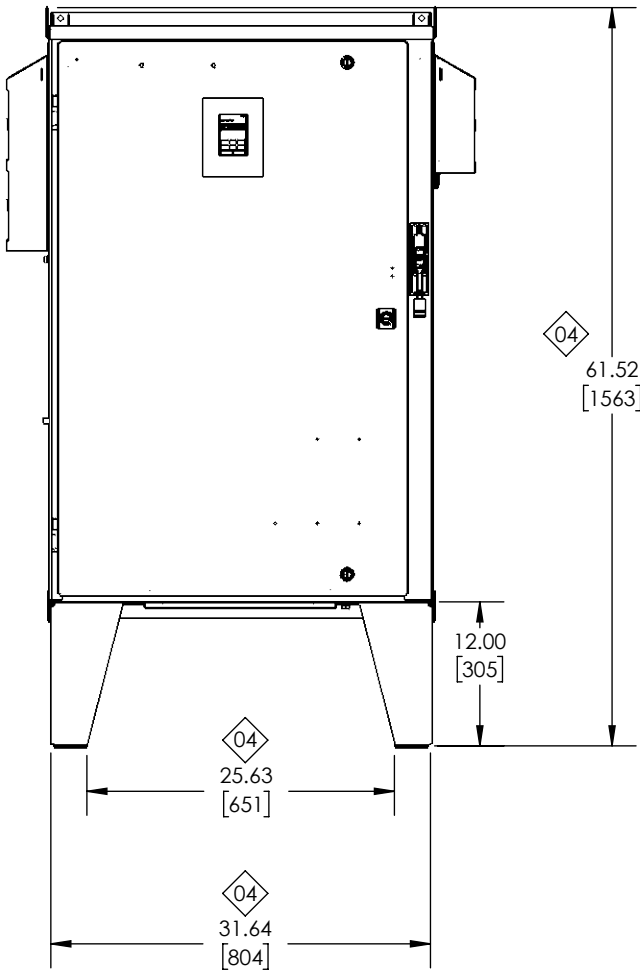
- NOTES:
- A. FOR REFERENCE ONLY UNLESS PROPERLY ENDORSED. FOR ADDITIONAL DETAILS AND SPECIFICATIONS, CONSULT FACTORY.
  - B. DIMENSIONS ARE IN INCHES [MILLIMETERS].
  - C. HATCHED AREA INDICATES PERMISSIBLE CONDUIT ENTRANCE AREA.
  - D. FANS, FILTERS, LEG STANDS OR CLOSING PLATES ARE SUPPLIED WHEN OPTION MIX NECESSITATES.
  - E. USE APPROPRIATE TYPE RATED HUBS OR FITTINGS TO MAINTAIN ENCLOSURE RATING.

chuck\_powell Tuesday, April 03, 2018 1:55:38 PM

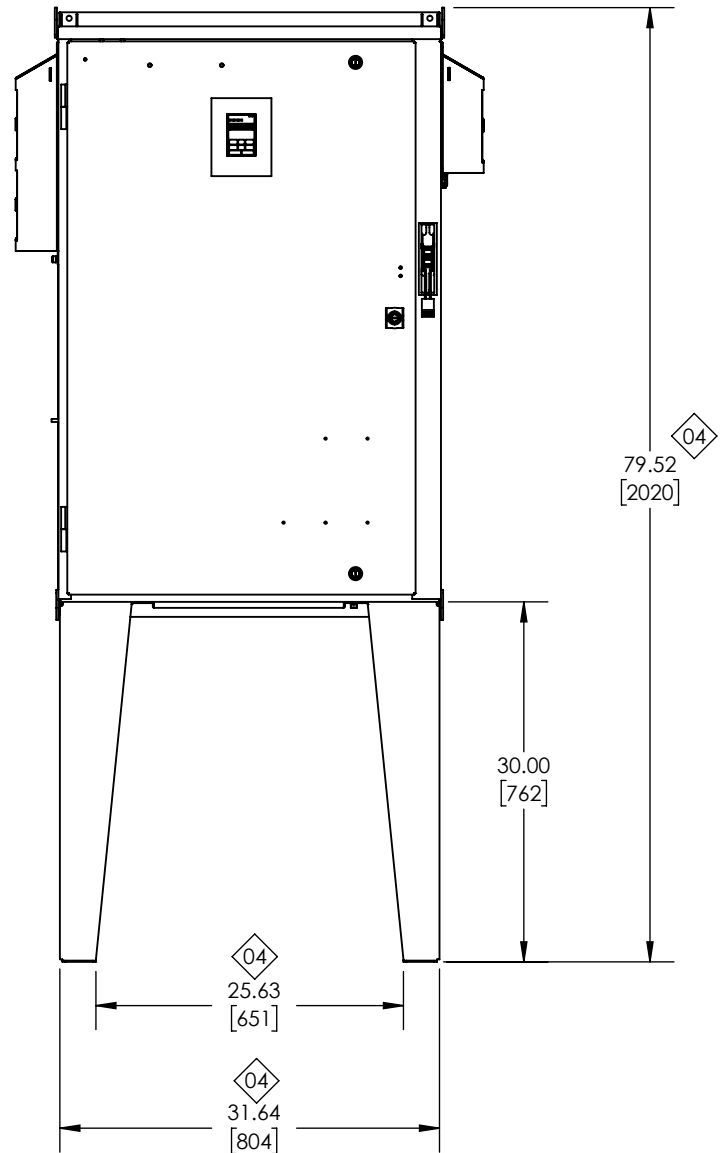
REVISIONS				
REV.	DESCRIPTION	ECR#	DRAWN BY	DATE
04	UPDATED DIMENSIONS.	8530	CAP	3/21/18
03	ADDED NEW TOP; (PAGE 2) DIMENSIONS CORRECTED.	7119	JDE	4/1/16

		DRAWN: <b>J. Edwards</b>	DATE: 04/25/2013	TITLE: <b>DIMENSION DRAWING,          Z1000 TYPE 3R, W4</b>	
		CHECKED: <b>R. Marks</b>	DATE: 04/25/2013		
THIS DOCUMENT AND INFORMATION CONTAINED IN IT ARE CONFIDENTIAL, AND CANNOT BE COPIED OR DISCLOSED IN WHOLE OR IN PART WITHOUT THE EXPRESS WRITTEN CONSENT OF YASKAWA AMERICA INC.		TECH: <b>B. Johnson</b>	DATE: 05/02/2013	MATERIAL# ---	REVISION 04
		APPROVED: <b>J. Edwards</b>	DATE: 04/19/2013	SIZE A	PAGE 1 OF 2
				DRAWING #: <b>DD.Z1.3R.W4.01</b>	

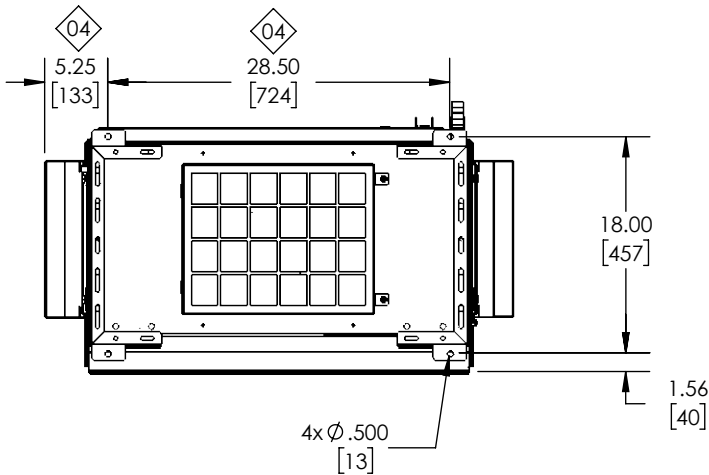
# LEG STAND MOUNTING OPTION DIMENSIONS



**12.0" HIGH LEGS**




**30.0" HIGH LEGS**



**NOTE: DRILL PATTERN SAME FOR 12" AND 30" HIGH LEGS**

chuck\_powell Tuesday, April 03, 2018 1:55:38 PM

 <p><i>THIS DOCUMENT AND INFORMATION CONTAINED IN IT ARE CONFIDENTIAL, AND CANNOT BE COPIED OR DISCLOSED IN WHOLE OR IN PART WITHOUT THE EXPRESS WRITTEN CONSENT OF YASKAWA AMERICA INC.</i></p>	DRAWN: J. Edwards	DATE 04/25/2013	TITLE: DIMENSION DRAWING, Z1000 TYPE 3R, W4		
	CHECKED: R. Marks	DATE 04/25/2013			
	APPROVED: B. Johnson	DATE 05/02/2013	MATERIAL#	---	---
	ORIGINAL DESIGN: J. Edwards	DATE 04/19/2013	SIZE A	REVISION 04	PAGE 2 OF 2
			DRAWING #: DD.Z1.3R.W4.01		